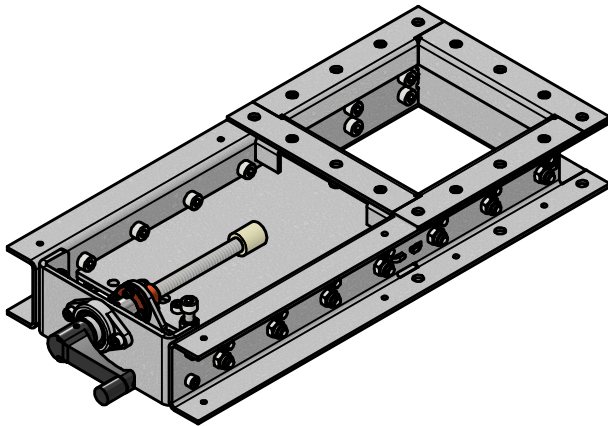


## Slide gate (Hand crank)

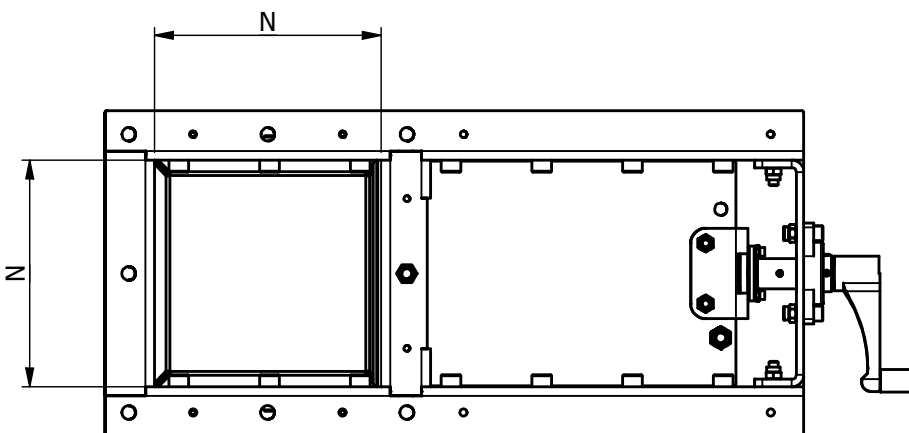
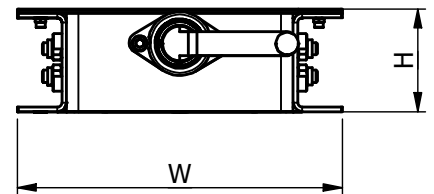
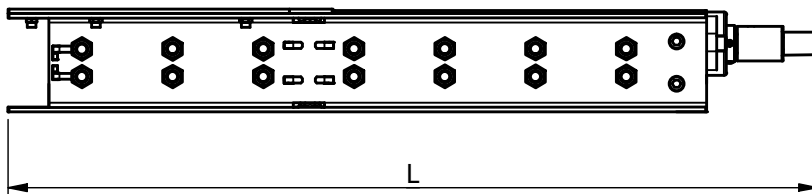


### Product description

Primarily designed for bulk grain handling in agriculture, but it can also be used for plastic granules and other mildly abrasive materials. It provides continuously adjustable, precise, and uniform material flow control, and can also function as a shut-off device. Its primary application is for silos, where the screw-type design allows high force to be applied if the material becomes jammed, while still ensuring easy operation.

### Features:

- Material: DC01
- Thickness: 3 mm
- Surface treatment: Electro-galvanized
- Operation: Manual lever-operated
- Installation: Suitable for installation in vertical pipelines
- Full opening/closing: 50 turns



Part number	Inlet (N)	Size (W x H x L)	Sensor (Optional)
GV15-C	150 mm	215x68x534 mm	GV15-SE
GV20-C	200 mm	265x68x636 mm	GV20-SE
GV30-C	300 mm	365x68x836 mm	GV30-SE

**PLACE ORDER**  
*click here!*